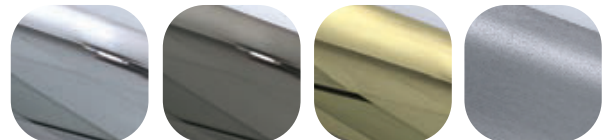


### Heritage Cylinder Pull and Escutcheon



#### Features

- Stylish cylinder pull and escutcheon**  
 For use with a Euro profile cylinder
- Designed to provide an easy method of closing the door upon exit**  
 Used to pull the door close from the outside easily
- Solid cylinder protection**  
 Design of the cylinder pull protects the external cylinder behind the pull preventing cylinder snapping and extraction
- Internal rounded escutcheon slides easily onto the fixing plate**  
 Finishes the door internally
- All parts for a door included within one package**  
 Supplied as a pair external cylinder pull and internal escutcheon boxed together with screws for 42-48mm doors (screw pack available for 70mm doors)
- Designed for Composite, Timber and PVCu doors**  
 To suit all door materials
- Available in the complete range of Hardex finishes**  
 Perfectly matching to the full Fab&Fix range of products
- Face fitted**  
 Easily retrofittable and suitable for all locking mechanisms. Screw centres perfectly align with key wind up, Heritage and Slam Shut door locking systems
- Secure**  
 High tensile M6 screws for high security performance. Meets the requirements of PAS24 as part of a compliant doorset and tested to meet TS007

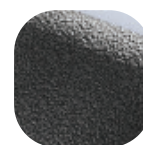


Hardex Chrome

Hardex Bronze

Hardex Gold

Hardex Graphite



Antique Black



White



Black

### Heritage Cylinder Pull and Escutcheon

#### Ordering Details

##### Corrosion resistance

Meets the requirements of BS EN 1670:2007 Grade 5 (480 hours)

#### Material Specification

Cylinder Pull:	High quality Zinc
Escutcheon:	High quality Zinc
Coatings:	Hardex Chrome, Hardex Bronze, Hardex Gold, Hardex Graphite, Antique Black, Black and White

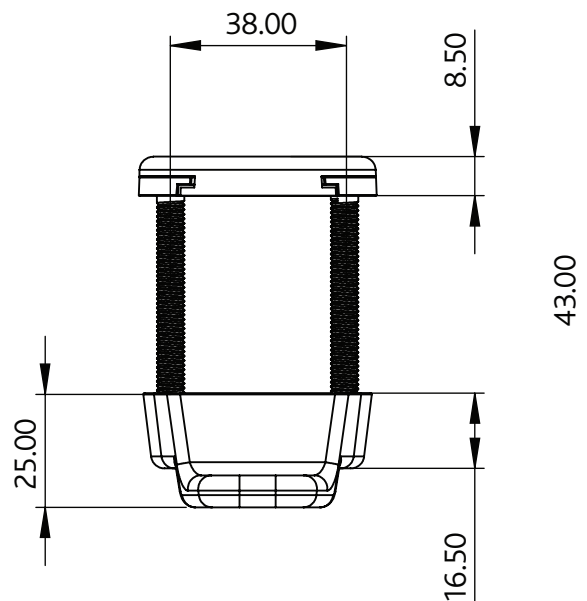
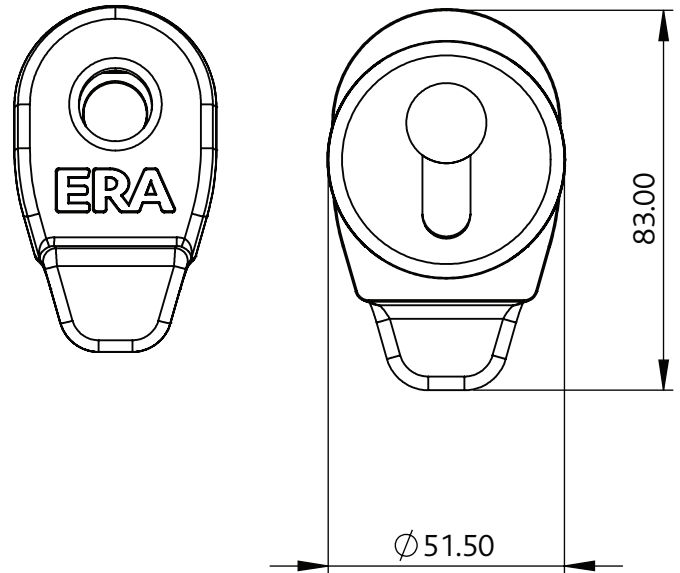
#### Maintenance

All moving parts should be lightly lubricated using a light non-acidic mineral oil (e.g. "3 in 1") twice per year and the surface cleaned with a soft damp cloth. The product may need to be adjusted and fixings tightened to ensure a satisfactory operation.

#### Packaging

##### Heritage Cylinder Pull and Escutcheon

Individually boxed with screws.  
20 per box.



All dimensions are in mm and are nominal.  
Fab&Fix reserves the right to change specification without notice.  
It is the responsibility of the door manufacturer to ensure that the finished product meets any required safety and performance specification.