

Winkhaus Stable Door Lock

SDL Multi-Point locking system for composite and timber stable doors



in
Doors

Winkhaus Stable Door Lock

SDL Multi-Point locking system especially designed for composite and timber doors

With over 150 years experience in producing locking systems for the world market Winkhaus is a market leader producing innovative security solutions to meet the challenges of tomorrow's rapidly changing security and ease of use requirements.

Many of the features and performance characteristics of the popular Cobra™ multi-point locking system have been used in the development of the new stable door lock range for timber and composite doors.

A purpose made composite door locking system with two completely separate locks rather than a mismatched combination of other locks. Supplied as standard with a substantial 20mm faceplate to allow for increased machining tolerances the Winkhaus Stable Door Lock (SDL) has a number of other new features:-

- High strength centre gearbox to reduce the risk of malicious abusive loads.
- 25mm throw tapered plated steel hooks for optimum security, ease of operation and weather performance.
- Non-handed locks to avoid incorrect factory or site manipulation.
- 20mm wide radius end faceplate to suit popular routing techniques.
- 45mm and 55mm backset options for a wide range of furniture options.
- Lever operated top lock.
- Key operated bottom lock fitted with a roller latch for convenient ease of use.
- Radius end steel keeps with ± 2 mm adjustment.
- Lock and keeps plated to Grade 4 corrosion resistant to BS EN1670 European Standard.
- Sprung latch and nickel plated steel deadbolt provides maximum strength in the centre of the door.
- Tested to 100,000 cycles the sprung gearbox offers the lowest possible operating forces and helps prevent handle 'droop'.
- Locks accept industry standard 92pz handle sets or separate lever rose furniture.
- Keyed alike XR6 51 Kitemark thumbturn cylinder sets available from Winkhaus.
- Can be used with Winkhaus Ecoframe™ made from recycled materials



With the rack bolt (by others) engaged and all hooks retracted the door operates as a conventional door, releasing the rack bolt separates the upper and lower leaves, you can now choose to open the top portion only.



Standard 24mm wide keeps with dust boxes and off-set screw fixing for enhanced security.

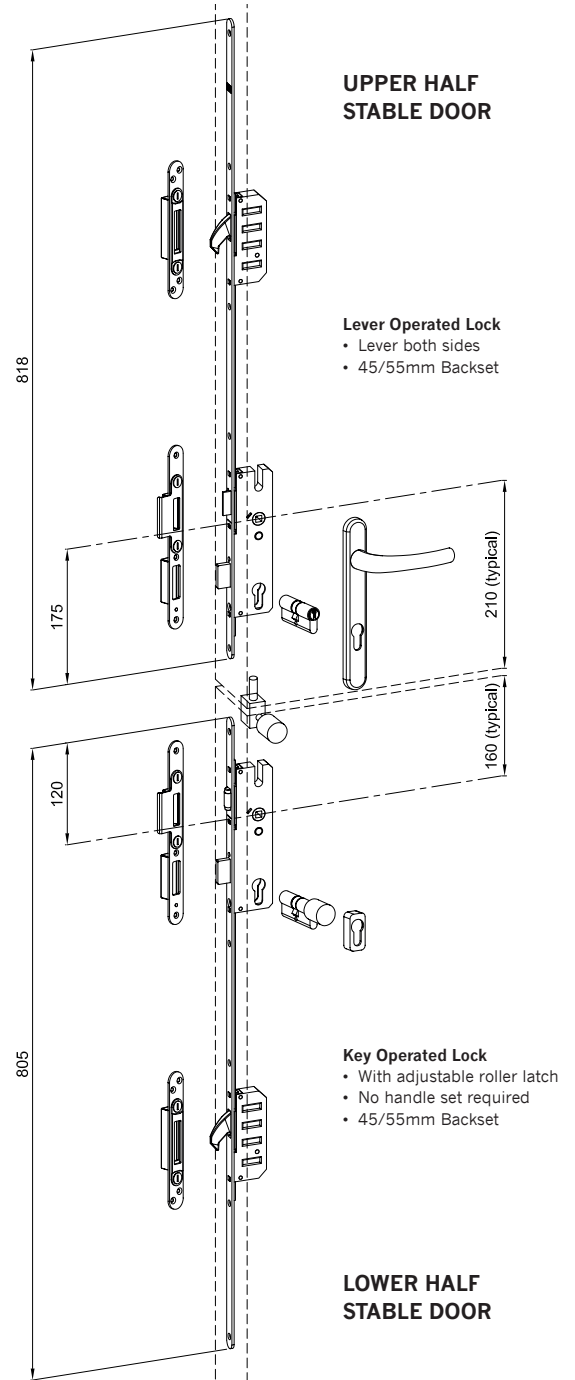
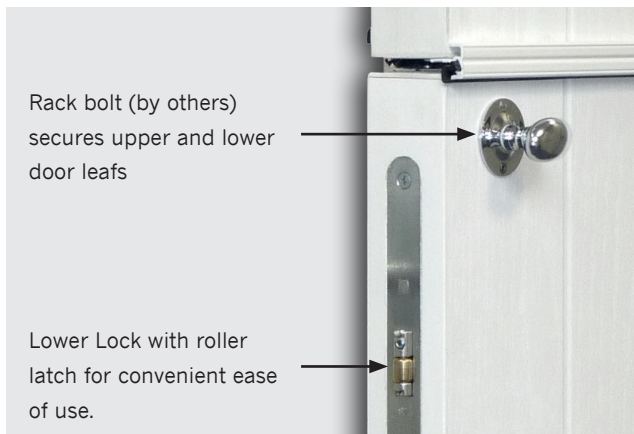
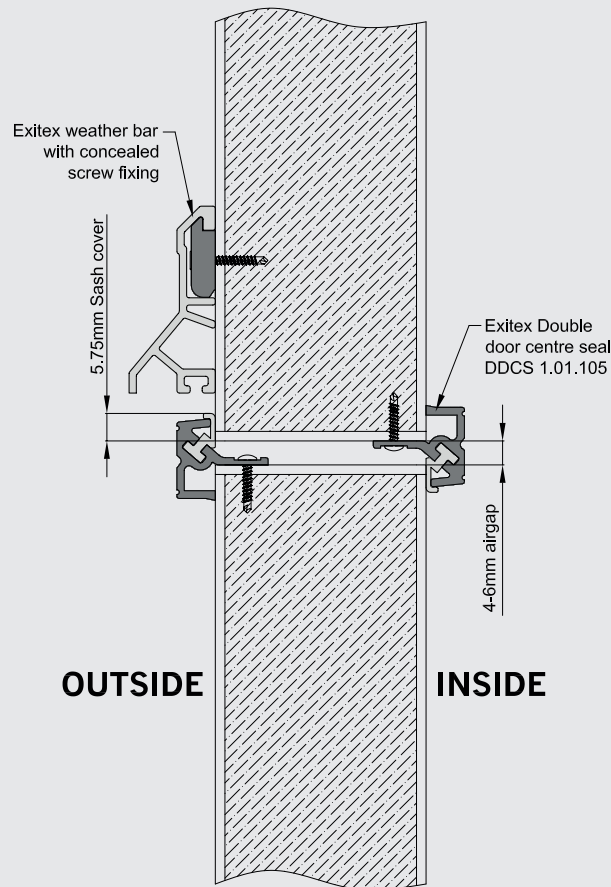
Stable door jointing parts

- 1 x Internal DDCS*
- 1 x External DDCS*
- 2 x External weather bar*

* Can be colour matched to suit composite door skin

Available direct from Exitex Ltd.

Tel: 00353 9371244, www.exitex.com



Part No.	Description
4966588	Composite Stable Door Lock Upper 45mm BS
4966587	Composite Stable Door Lock Lower 45mm BS
4966573	Composite Stable Door Lock Upper 55mm BS
4966571	Composite Stable Door Lock Lower 55mm BS

Frame keeps available to suit all door and frame combinations.
Rack bolts available from architectural hardware suppliers.

Winkhaus UK Ltd

2950 Kettering Parkway, Kettering,
Northants NN15 6XZ

Tel: +44 (0)1536 316000

Fax: +44 (0)1536 416516

www.winkhaus.co.uk

email: enquiries@winkhaus.co.uk