

Bull Ring Knocker

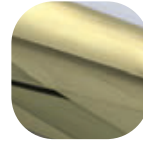


Features

- **Patented face fixing plate works with all major door materials**
Easy installation; no need to use fixing bolts or to drill through the door
- **Heritage design**
Create an elegant finish to a heritage style door



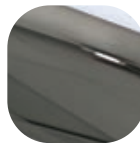
Hardex
Chrome



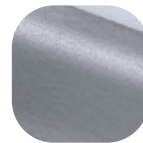
Hardex
Gold



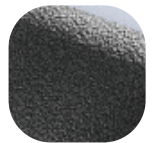
Black



Hardex
Bronze



Hardex
Graphite



Antique
Black

Bull Ring Knocker

Corrosion resistance

Meets the requirements of BS EN 1670:2007 Grade 5 (480 hours)

Material Specification

Knocker:	High quality Zinc
Coatings:	Hardex Chrome, Hardex Gold, Hardex Bronze, Hardex Graphite, Antique Black and Black

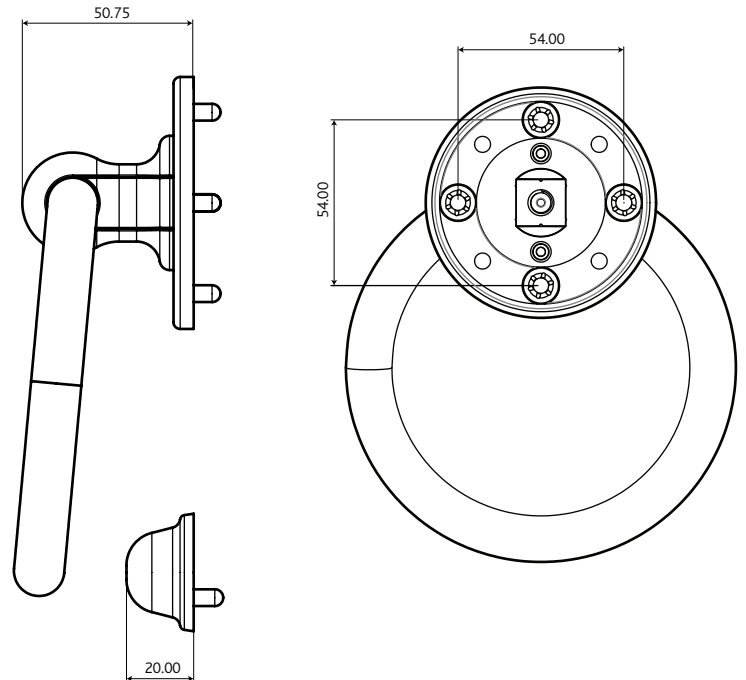
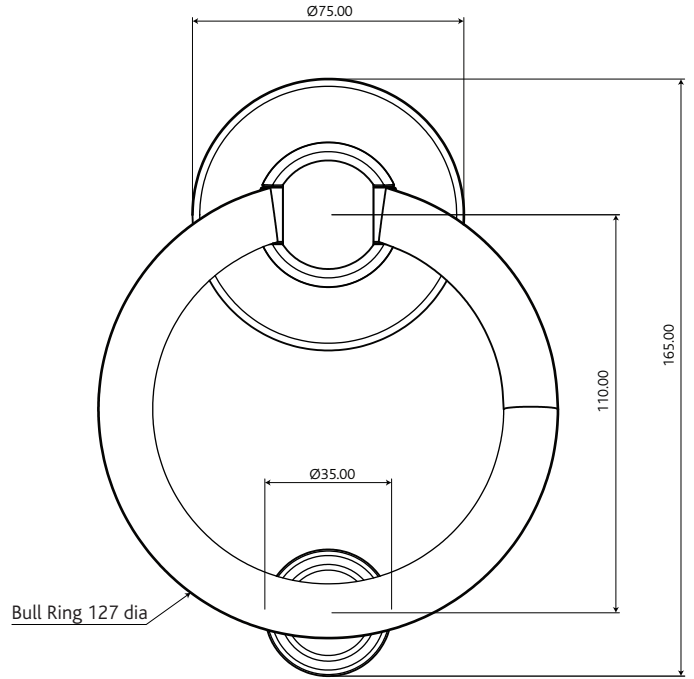
Maintenance

For continued protection of the quality finish and appearance, Fab&Fix advise routine cleaning of all our external hardware. Moving parts should also be lightly lubricated at least twice a year. This procedure is particularly essential if products are used within a 25-mile radius of coastal areas or close proximity to building sites or large industrial areas, where more frequent cleaning may be required to prevent the accumulation of corrosive contaminants.

Packaging

Bull Ring Knocker

Individually boxed with fixing bracket and care instructions. 20 knockers in an outer box.



All dimensions are in mm and are nominal.
 Fab&Fix reserves the right to change specification without notice
 It is the responsibility of the door manufacturer to ensure that the finished product meets any required safety and performance specification.