

Decorative Door Knob



Features

- **65mm diameter knob**
Perfectly sized to fit most door types
- **Supplied in both bracket face fix and bolt fix specifications**
All fixing options covered
- **A highly secure and robust fixing**
Designed to meet the life-cycle of the door
- **All parts, tools and fixings supplied within one package**
Parts to hand for a quick and easy fixing
- **Colour co-ordinated internal bolt fix**
That final perfectly matching touch
- **Bolt fixing can be cut to size**
Will suit all standard depth doors
- **Designed for Composite, Timber, PVCu and Aluminium doors**
To suit all door materials
- **Available in the complete range of Hardex finishes**
Perfectly matching to the full Fab&Fix range of products



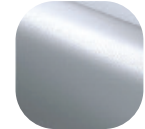
White



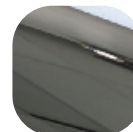
Black



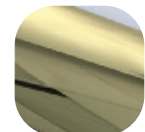
Hardex
Chrome



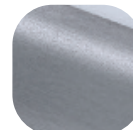
Hardex
Satin



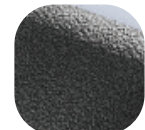
Hardex
Bronze



Hardex
Gold



Hardex
Graphite



Antique
Black

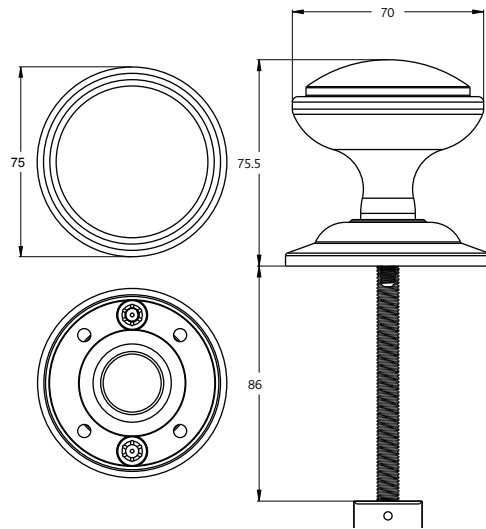
Decorative Door Knob

Performance	
Pull test - 800N	
Material Specification	
Knob:	High quality Zinc
Bolt:	White, Black, Silver, Gold
Fixing Brackets:	Mild Steel

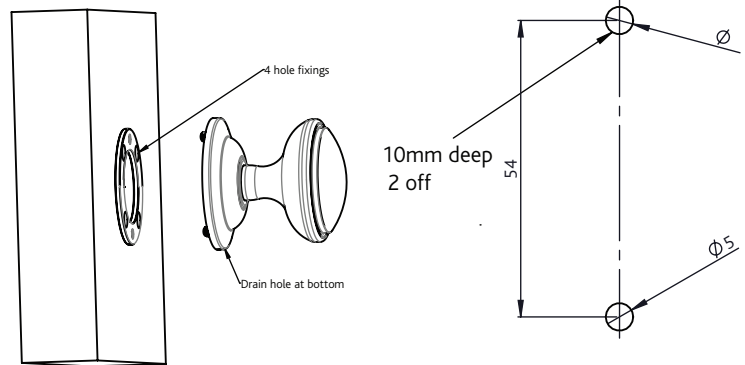
Packaging	
Individually Boxed	
Outer Cartons of 20	

Maintenance	
For continued protection of the quality finish and appearance, Fab&Fix advise routine cleaning of all our external hardware. Moving parts should also be lightly lubricated at least twice a year. This procedure is particularly essential if products are used within a 25-mile radius of coastal areas or close proximity to building sites or large industrial areas, where more frequent cleaning may be required to prevent the accumulation of corrosive contaminants.	

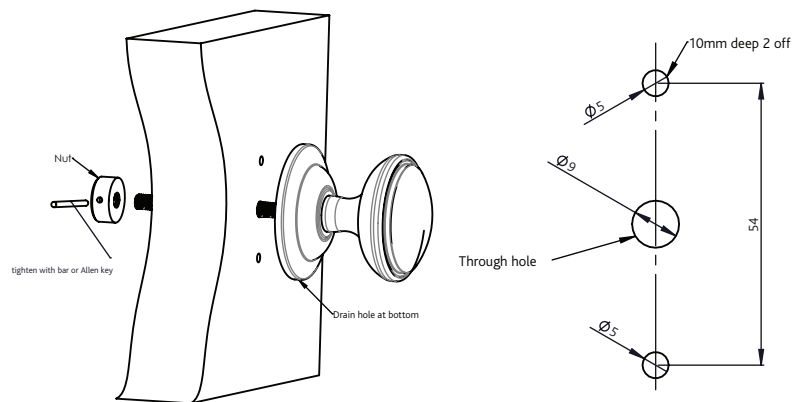
Decorative Door Knob



Face Fix



Through Fix



All dimensions are in mm and are nominal.
 Fab&Fix reserves the right to change specification without notice.
 It is the responsibility of the door manufacturer to ensure that the finished product meets any required safety and performance specification.