

Noble Sprung Inline Lever Lever



Features

- Stylish Lever Handle Design**
 Developed to replicate traditional forged hardware in appearance and durability
- Supplied with screw and spindle pack to suit 44-48mm profiles**
 Everything needed for installation included
- Colour coordinated screw heads**
 Perfectly matching hardware, even down to the smallest details
- Solid die cast construction with heavy duty spring cassette**
 Sturdy feel and consistent 90 degree lever return
- Wide backplate**
 To suit cylinder guards and accommodate larger cylinder preparation
- Supplied with care instructions**
 Helps the homeowner to keep the hardware in optimal condition
- Supplied fully assembled**
 Simple and quick installation, no need to fit springs or lever
- Silicon Site-Protectors available**
 Ensures perfect condition after installation
- Each part packaged in a separate chamber, but supplied as a set**
 No scratching of parts during transit



Forged
Black



Hardex
Pewter

Noble Sprung Inline Lever

Ordering Details

Product

Noble Inline Lever

Finish

Part No.

Forged Black
Hardex Pewter

DHMNBL-FB
DHMNBL-PT

For additional part numbers please contact our sales office.

Technical Information

Corrosion resistance

Meets the requirements of BS EN 1670:2007 Grade 5 (480 hours)

Operation

Endurance tested in excess of 200,000 cycles

Performance

Tested to meet the requirements of PAS 24 as part of a compliant door set.

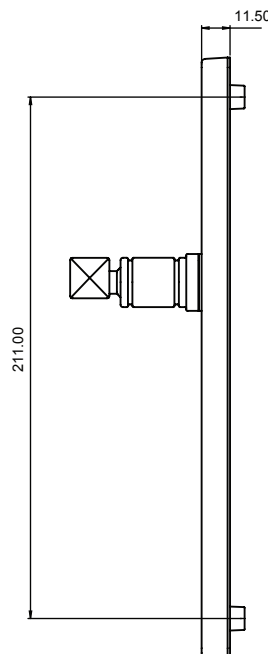
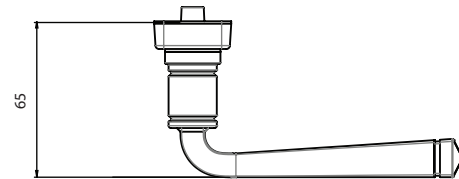
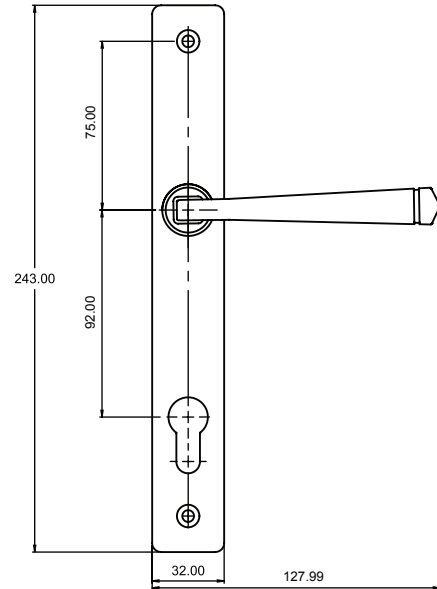
Material Specification

Handle Grip and Backplate: High quality Zinc for all finishes.

Coatings: Forged Black and Hardex Pewter

Spindle / Screws: Machine screws with colour coordinated heads for handle.
44mm - 48mm profiles (1 x 8mm x 90mm spindle; 2 x 60mm M5 screws)

Cylinder: Euro Cylinder, 92mm PZ



Maintenance

For continued protection of the quality finish and appearance, Fab&Fix advise routine cleaning of all our external hardware. Moving parts should also be lightly lubricated at least twice a year. This procedure is particularly essential if products are used within a 25-mile radius of coastal areas or close proximity to building sites or large industrial areas, where more frequent cleaning may be required to prevent the accumulation of corrosive contaminants.

Packaging

Handles

Individually bagged with screws, spindle and care instructions.
15 handles in an outer box.

All dimensions are in mm and are nominal.
Fab&Fix reserves the right to change specification without notice
It is the responsibility of the door manufacturer to ensure that the finished product meets any required safety and performance specification.