

TECHNICAL DATA

ABS CYLINDER

Product Type

Hardware - Cylinder - **ABS Cylinder**



3 star kitemark
Tested to TS007
Split size 35 ext/40 int.
Available as a thumbturn

Supplier Guarantee 10 Year

Care Instructions

Use only graphite dust to lubricate the lock
NEVER use silicon spray or WD40

Product codes - ABS cylinder

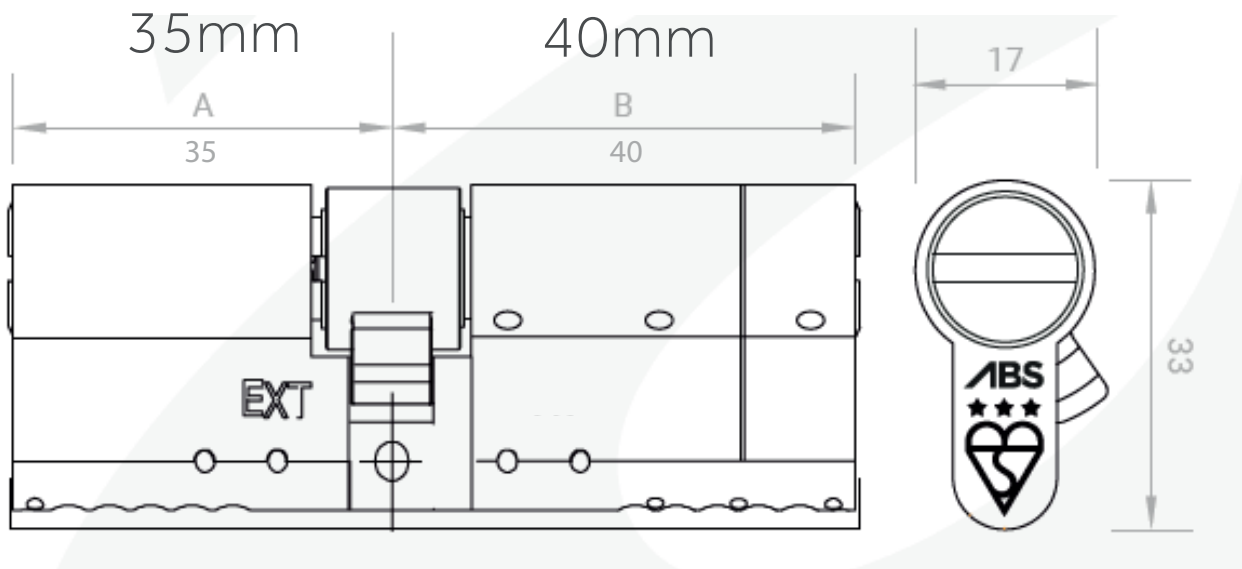


Polished Chrome



Polished Gold

PRODUCT SIZING - Key/Key



KEY POINTS

Performance:

Endurance tested to 100,000 operations

Corrosion Resistance:

Meets requirements of BS EN 1670:2007 (Grade 3, 96 hours)

Coating Details:

Polished brass & polished Chrome plated

Pins:

6+1 profile pin

Anti bump:

6- for advanced pick resistance

Keys:

5 keys standard

- High specification cylinder offering resistance to drilling, picking, bumping, twisting, chisel and screw attacks to deter forced entry
- British Kitemark TS007:2014 +A2:2018 3 Star rated lock (KM 586153)
- Complies with the requirements of BS EN1303:2015, PAS24:2016 & BS3621:2017

SS312 Sold Secure Diamond Grade

Master Locksmith Association general vulnerability assessment approved

Secured by Design Accredited (Police Preferred Specification)

Double, single and thumbturn formats available